

TANKS WEST

WE BUILD THE BEST

www.tankswest.com.au

Tanks West Pty Ltd
5-7 Uppsala Place
Canning Vale WA 6155

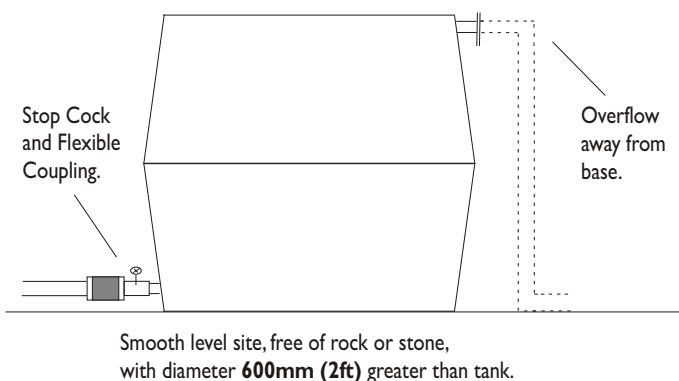
Mailing Address:
P.O. Box 1523
Canning Vale Delivery Centre
WA 6970

Tel: (08) 9456 0677
Fax: (08) 9456 0676
Email: info@tankswest.com.au

Tank Installation

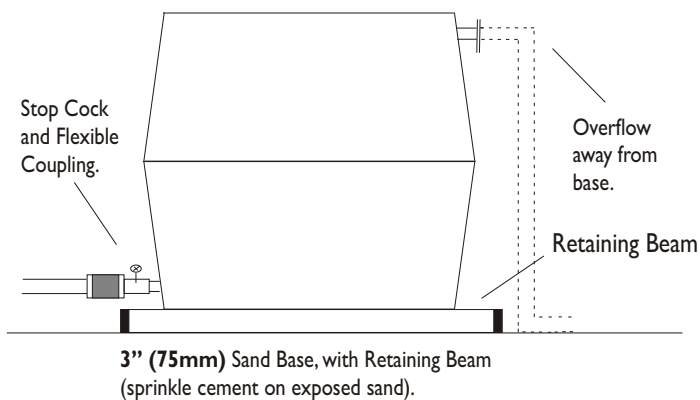
Preferred Method

Natural Ground

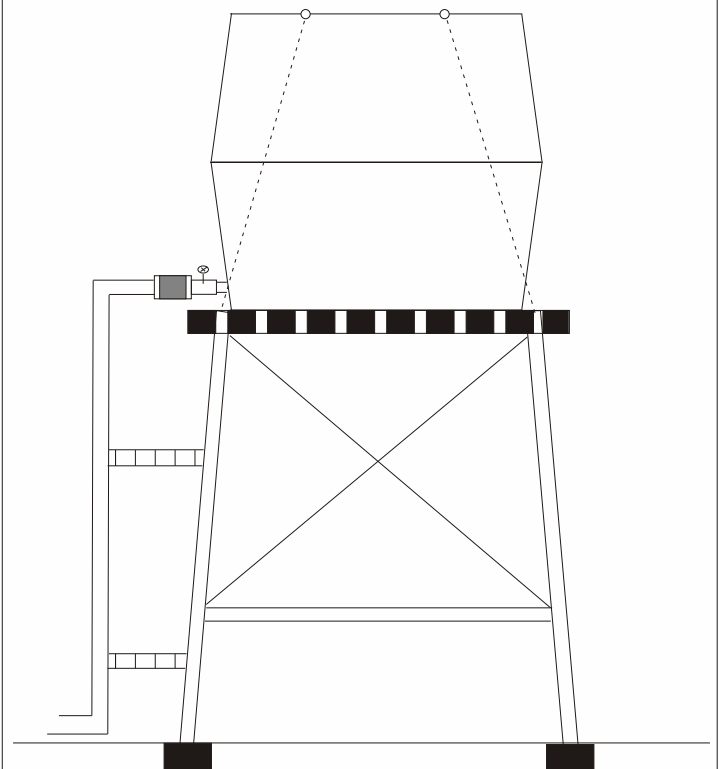


Alternative Method

Sand Base



Tank Stands



Critical Points to Remember

1. Base of tank must be fully supported across its entire area (base support must remain flat at all times).
2. Pipe work should not place any loading on tank wall (flexible coupling is best alternative).
3. Overflow size must equal or exceed inlet size.
4. Tank must be vented to prevent it being subject to pressure or vacuum (leafstrainer or breather must be installed).